

Eesti Juuniorite MV-d 23.03.2013 23.03.2013 Võru M-55

Competitors: 5

Competitors

| # | Name | Club | 1 | 2 | 3 | 4 | 5 | Wins | Pts | Pos |
|---|-----------------|-----------------|----|---|----|----|----|------|-----|-----|
| 1 | SOONISTE Brett | EST/Do | | | 10 | 5 | | 2 | 15 | 4 |
| 2 | PUUSEPP Sven | EST/Ookami | 10 | | 10 | 10 | 10 | 4 | 40 | 1 |
| 3 | BOSSAK Vladimir | EST/Dodze | | | | | | 0 | 0 | 5 |
| 4 | NADZAFOV Elvin | EST/Põhjakotkas | | | 10 | | 7 | 2 | 17 | 3 |
| 5 | SKALIKOV Maksim | EST/Buffer-Do | 10 | | 10 | | | 2 | 20 | 2 |

Matches

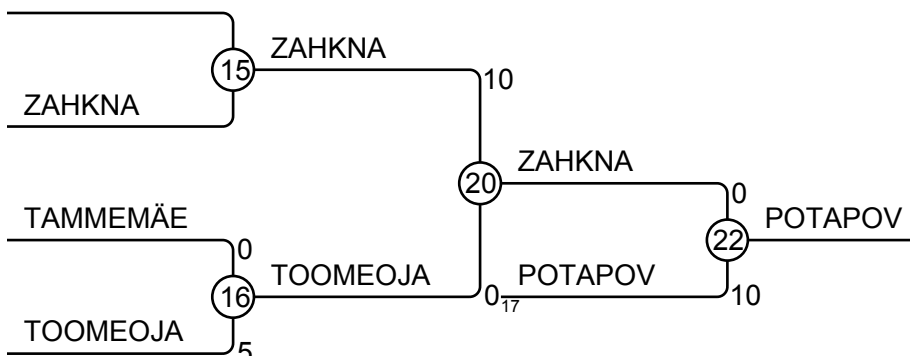
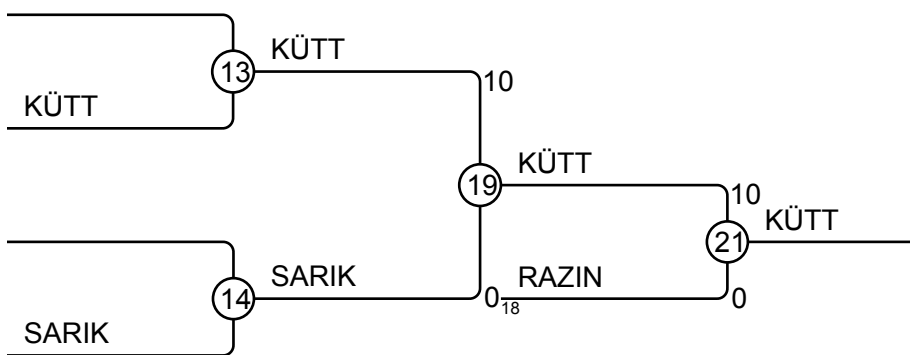
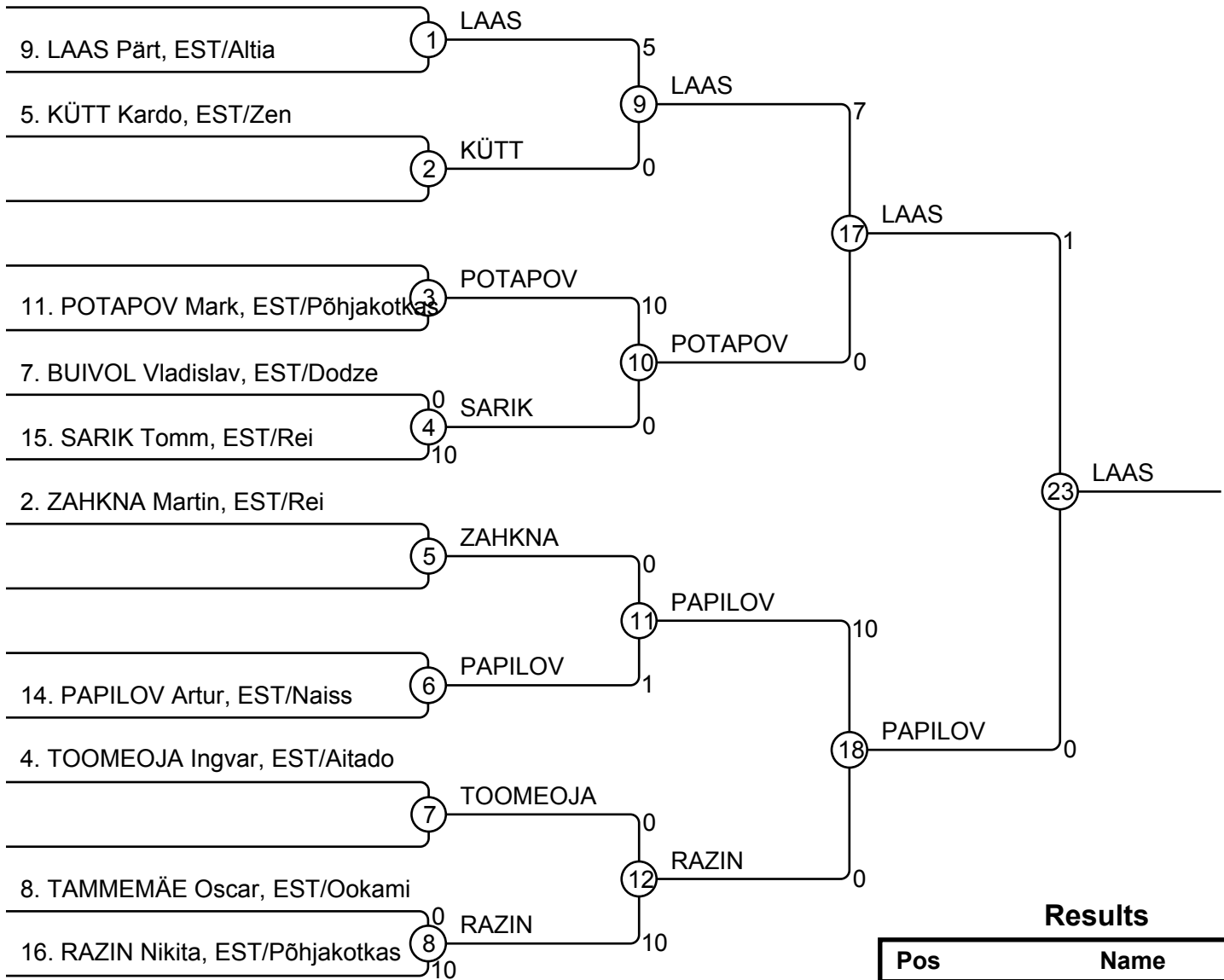
| Match | White | | Blue | | Result | Time |
|-------|-----------------|-----|-----------------|--|--------|------|
| 1 | NADZAFOV Elvin | 4 5 | SKALIKOV Maksim | | 7 - 0 | 1:39 |
| 2 | SOONISTE Brett | 1 2 | PUUSEPP Sven | | 0 - 10 | 1:57 |
| 3 | BOSSAK Vladimir | 3 4 | NADZAFOV Elvin | | 0 - 10 | 0:48 |
| 4 | SOONISTE Brett | 1 5 | SKALIKOV Maksim | | 0 - 10 | 1:11 |
| 5 | PUUSEPP Sven | 2 3 | BOSSAK Vladimir | | 10 - 0 | 1:41 |
| 6 | SOONISTE Brett | 1 4 | NADZAFOV Elvin | | 5 - 0 | 2:40 |
| 7 | BOSSAK Vladimir | 3 5 | SKALIKOV Maksim | | 0 - 10 | 0:15 |
| 8 | PUUSEPP Sven | 2 4 | NADZAFOV Elvin | | 10 - 0 | 2:33 |
| 9 | SOONISTE Brett | 1 3 | BOSSAK Vladimir | | 10 - 0 | 0:41 |
| 10 | PUUSEPP Sven | 2 5 | SKALIKOV Maksim | | 10 - 0 | 4:00 |

Results

| Pos | Name |
|-----|---------------------------------|
| 1 | PUUSEPP Sven, EST/Ookami |
| 2 | SKALIKOV Maksim, EST/Buffer-Do |
| 3 | NADZAFOV Elvin, EST/Põhjakotkas |
| 4 | SOONISTE Brett, EST/Do |
| 5 | BOSSAK Vladimir, EST/Dodze |

Eesti Juuniorite MV-d 23.03.2013 23.03.2013 Võru M-60

Competitors: 10

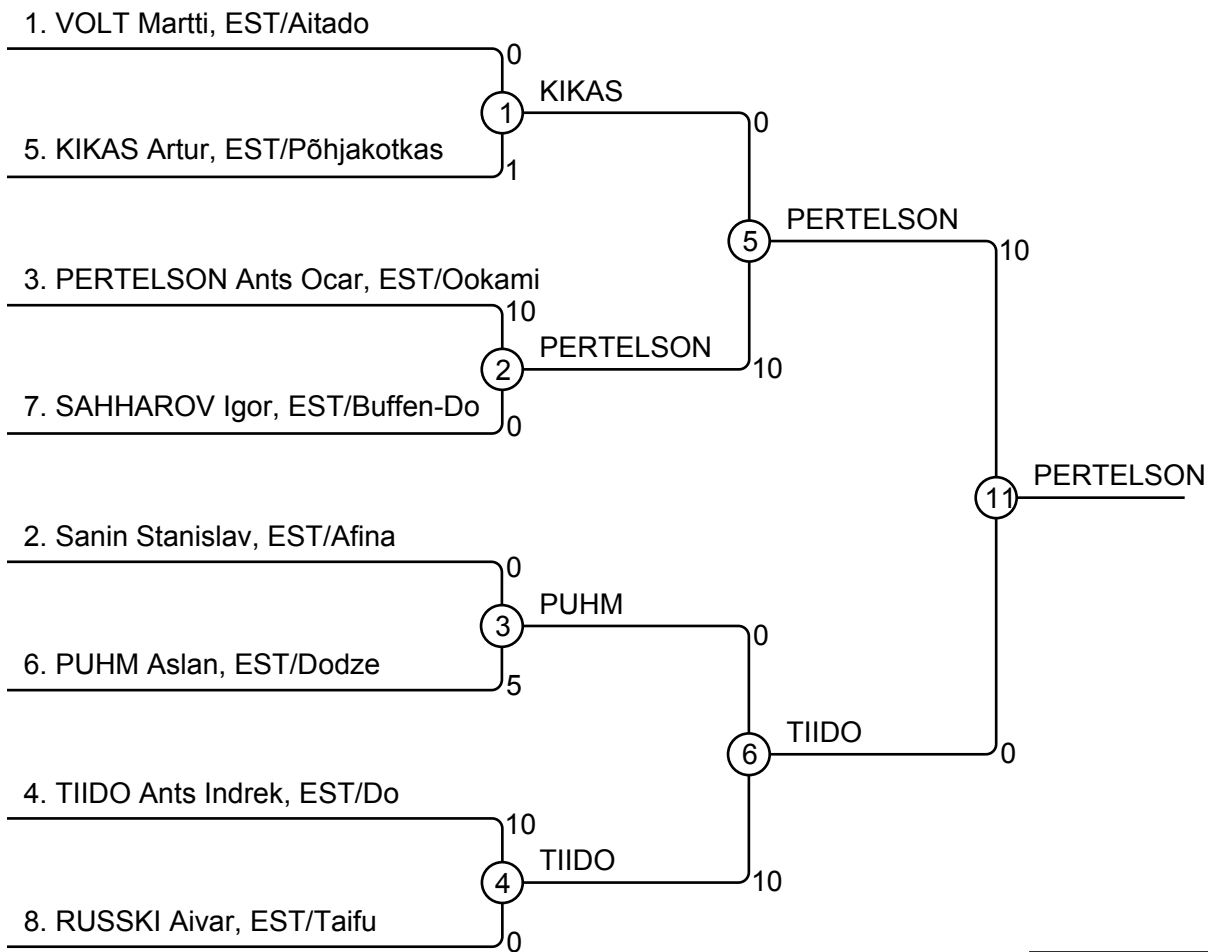


Results

| Pos | Name |
|-----|-------------------------------|
| 1 | LAAS Pärt, EST/Altia |
| 2 | PAPILOV Artur, EST/Naiss |
| 3 | KÜTT Kardo, EST/Zen |
| 3 | POTAPOV Mark, EST/Põhjakotkas |
| 5 | RAZIN Nikita, EST/Põhjakotkas |
| 5 | ZAHKNA Martin, EST/Rei |
| 7 | SARIK Tomm, EST/Rei |
| 7 | TOOMEOJA Ingvar, EST/Aitadd |

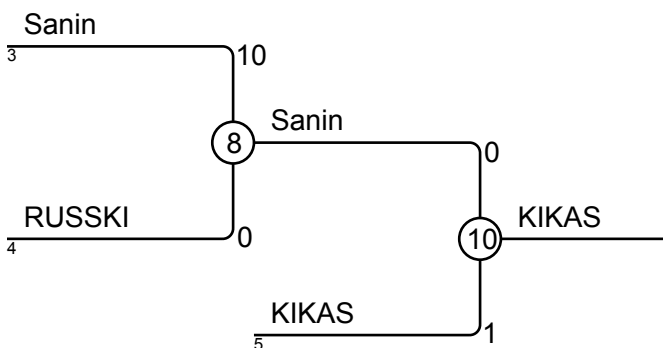
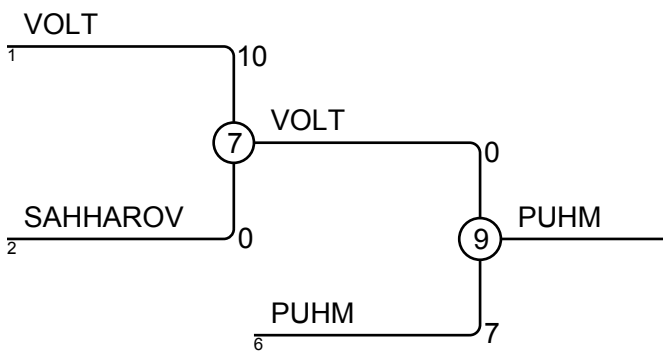
Eesti Juuniorite MV-d 23.03.2013 23.03.2013 Võru M-66

Competitors: 8



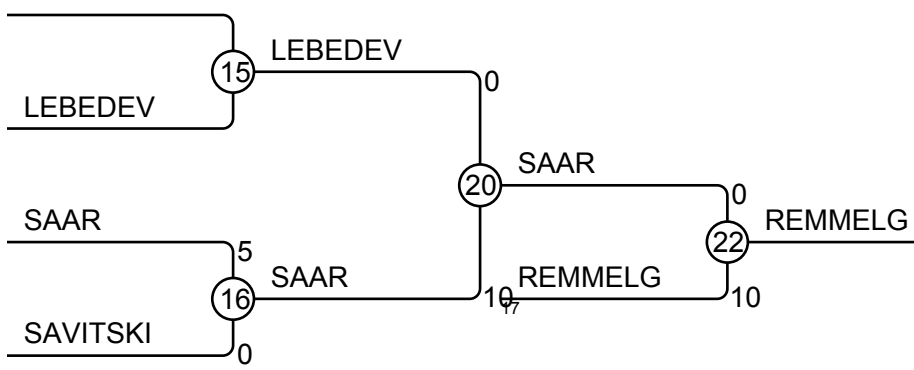
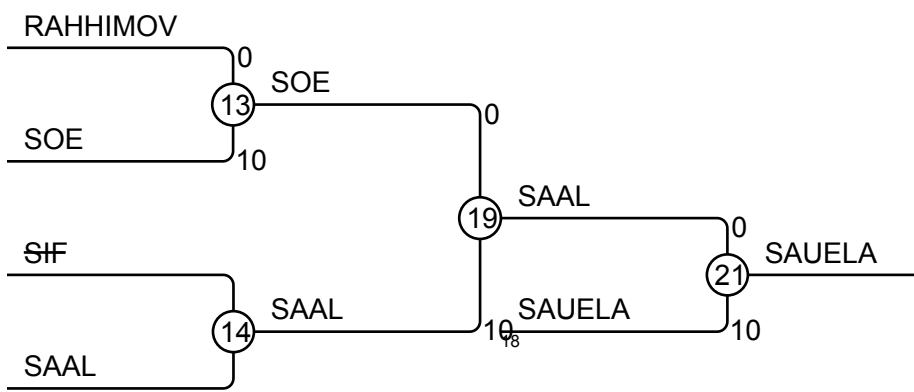
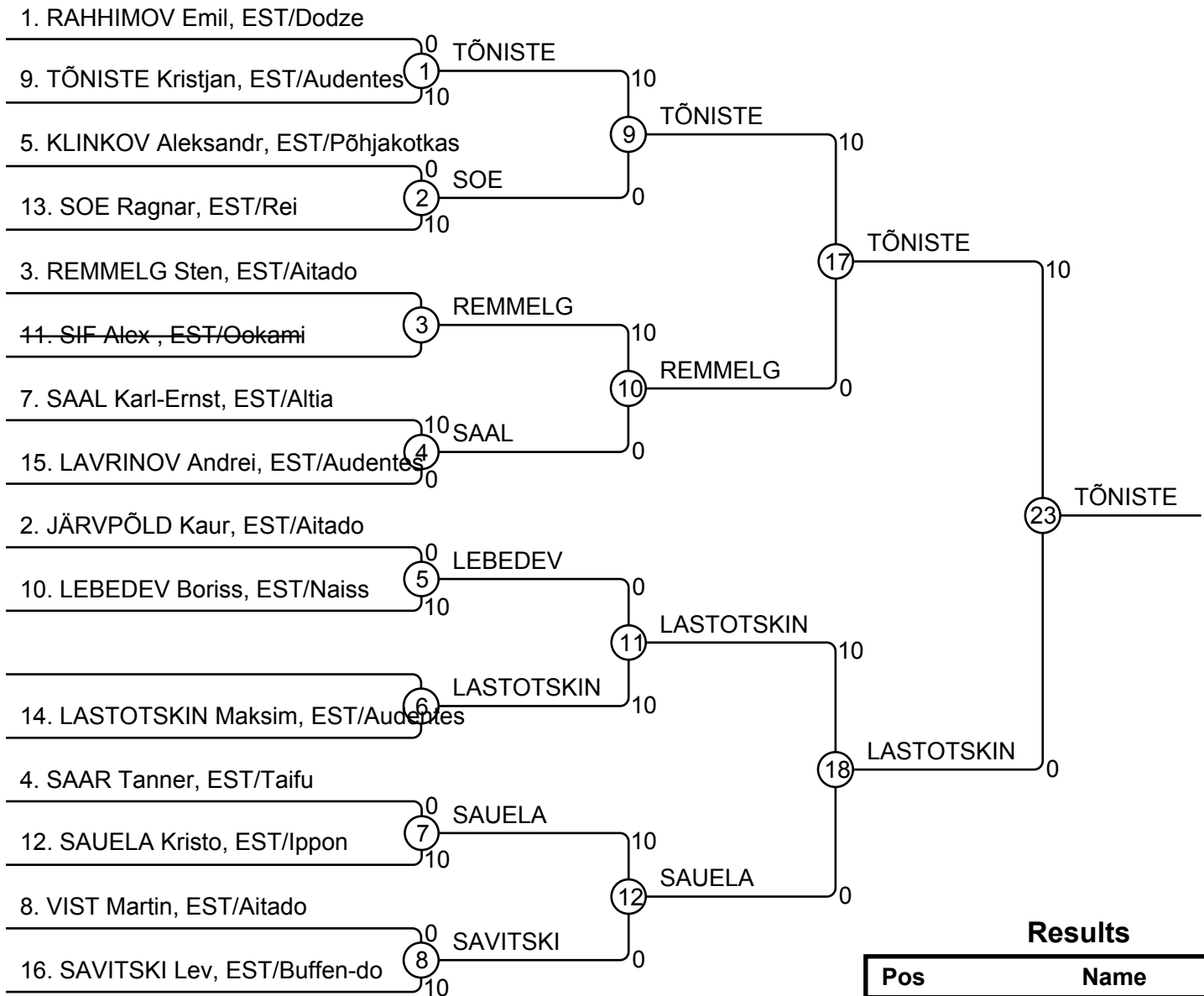
Results

| Pos | Name |
|-----|---------------------------------|
| 1 | PERTELSON Ants Ocar, EST/Ookami |
| 2 | TIIDO Ants Indrek, EST/Do |
| 3 | PUHM Aslan, EST/Dodze |
| 3 | KIKAS Artur, EST/Põhjakotkas |
| 5 | VOLT Martti, EST/Aitado |
| 5 | Sanin Stanislav, EST/Afina |
| 7 | SAHHAROV Igor, EST/Buffer-Do |
| 7 | RUSSKI Aivar, EST/Taifu |



Eesti Juuniorite MV-d 23.03.2013 23.03.2013 Võru M-73

Competitors: 15

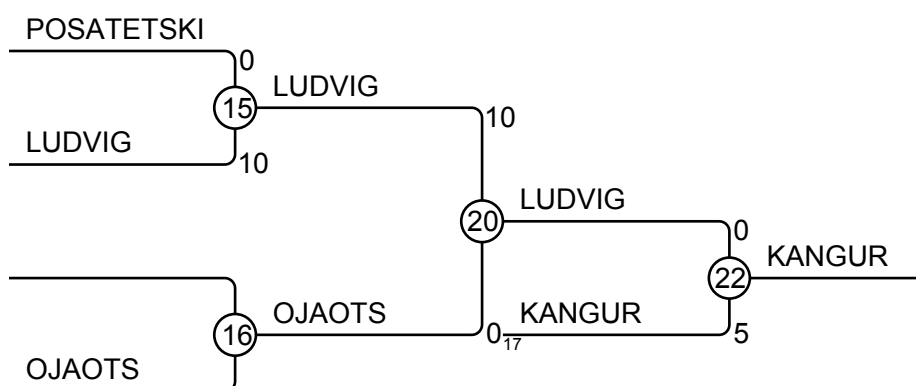
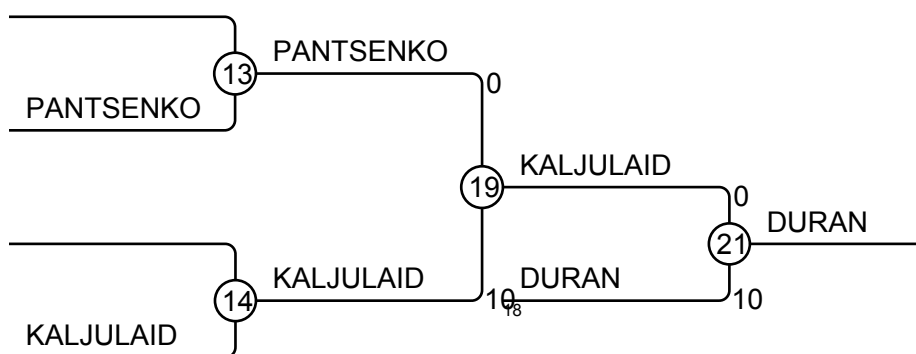
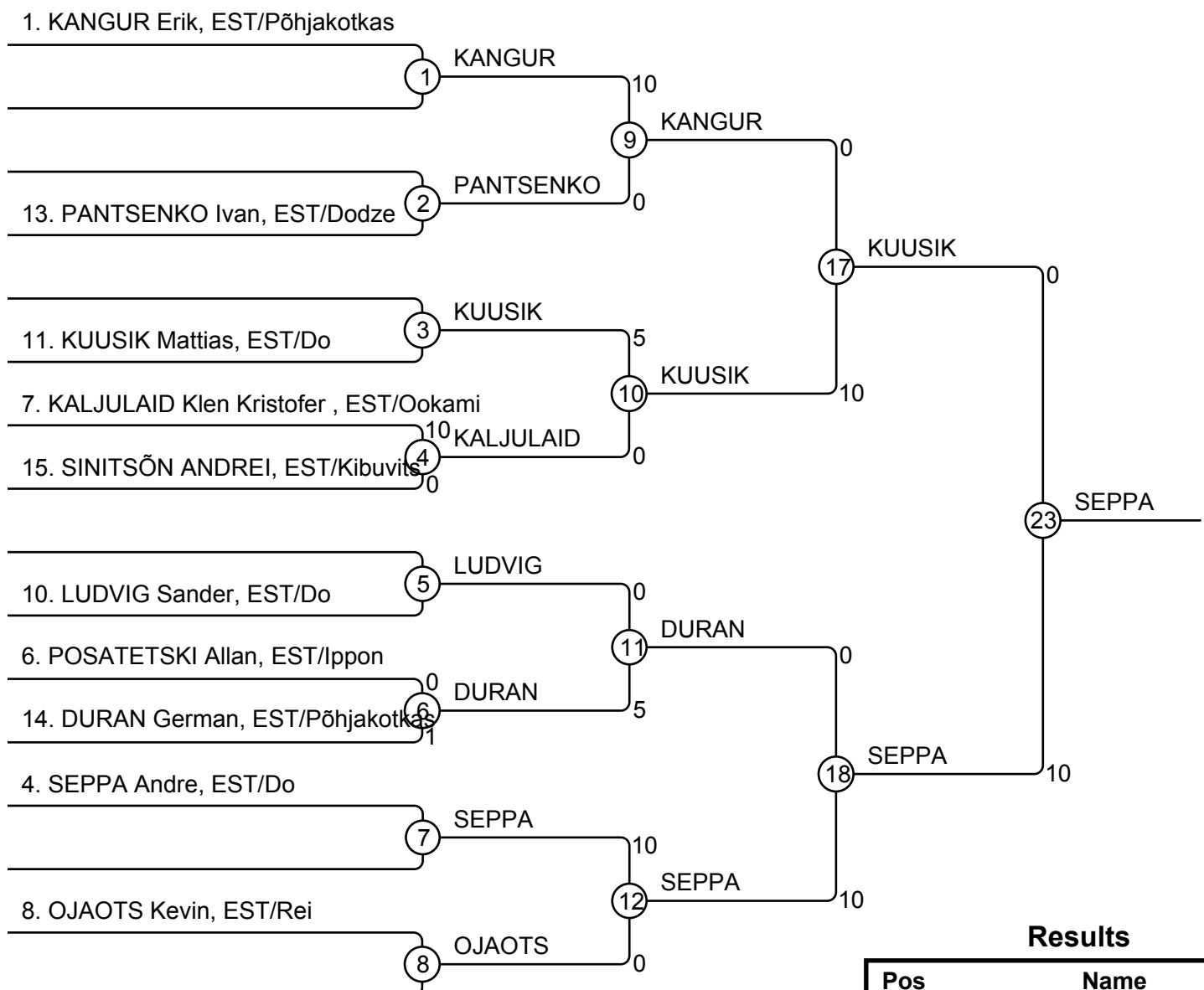


Results

| Pos | Name |
|-----|---------------------------------|
| 1 | TÕNISTE Kristjan, EST/Audentes |
| 2 | LASTOTSKIN Maksim, EST/Audentes |
| 3 | SAUELA Kristo, EST/Ippon |
| 3 | REMMELG Sten, EST/Aitado |
| 5 | SAAL Karl-Ernst, EST/Altia |
| 5 | SAAR Tanner, EST/Taifu |
| 7 | SOE Ragnar, EST/Rei |
| 7 | LEBEDEV Boriss, EST/Naiss |

Eesti Juuniorite MV-d 23.03.2013 23.03.2013 Võru M-81

Competitors: 10



Results

| Pos | Name |
|-----|---------------------------------------|
| 1 | SEPPA Andre, EST/Do |
| 2 | KUUSIK Mattias, EST/Do |
| 3 | DURAN German, EST/Põhjakotkas |
| 3 | KANGUR Erik, EST/Põhjakotkas |
| 5 | KALJULAIID Klen Kristofer, EST/Ookami |
| 5 | LUDVIG Sander, EST/Do |
| 7 | PANTSENKO Ivan, EST/Dodze |
| 7 | OJAOTS Kevin, EST/Rei |

Eesti Juuniorite MV-d 23.03.2013 23.03.2013 Võru M-90

Competitors: 4

Competitors

| # | Name | Club | 1 | 2 | 3 | 4 | Wins | Pts | Pos |
|---|-----------------------|------------|----|----|---|----|------|-----|-----|
| 1 | RAUDI Rasmus | EST/Ookami | | 7 | | | 1 | 7 | 3 |
| 2 | ULUHANJANTS Aleksandr | EST/Dodze | | | | | 0 | 0 | 4 |
| 3 | KERIMHANOV Rustam | EST/Naiss | 10 | 10 | | 10 | 3 | 30 | 1 |
| 4 | MÕTUS Sten | EST/Aitado | 10 | 10 | | | 2 | 20 | 2 |

Matches

| Match | White | | Blue | | Result | Time |
|-------|-----------------------|---|------|-----------------------|--------|------|
| 1 | RAUDI Rasmus | 1 | 2 | ULUHANJANTS Aleksandr | 7 - 0 | 4:00 |
| 2 | KERIMHANOV Rustam | 3 | 4 | MÕTUS Sten | 10 - 0 | 2:47 |
| 3 | RAUDI Rasmus | 1 | 3 | KERIMHANOV Rustam | 0 - 10 | 0:12 |
| 4 | ULUHANJANTS Aleksandr | 2 | 4 | MÕTUS Sten | 0 - 10 | 0:53 |
| 5 | RAUDI Rasmus | 1 | 4 | MÕTUS Sten | 0 - 10 | 1:51 |
| 6 | ULUHANJANTS Aleksandr | 2 | 3 | KERIMHANOV Rustam | 0 - 10 | 4:00 |

Results

| Pos | Name |
|-----|----------------------------------|
| 1 | KERIMHANOV Rustam, EST/Naiss |
| 2 | MÕTUS Sten, EST/Aitado |
| 3 | RAUDI Rasmus, EST/Ookami |
| 4 | ULUHANJANTS Aleksandr, EST/Dodze |

Eesti Juuniorite MV-d 23.03.2013 23.03.2013 Võru M-100

Competitors: 5

Competitors

| # | Name | Club | 1 | 2 | 3 | 4 | 5 | Wins | Pts | Pos |
|---|-------------------|------------------|----|---|----|----|----|------|-----|-----|
| 1 | KUZNETSOV Jevgeni | EST/Afina | | | 5 | 10 | 10 | 3 | 25 | 2 |
| 2 | SADAM Sten Alvar | EST/Aitado | 10 | | 10 | 10 | 10 | 4 | 40 | 1 |
| 3 | LEMBER Hookan | EST/Ookami | | | | | | 0 | 0 | 5 |
| 4 | VAINU Artur | EST/Audentes | | | 1 | | | 1 | 1 | 4 |
| 5 | SELIVANOV Mihhail | EST/Põhjakohtkas | | | 10 | 10 | | 2 | 20 | 3 |

Matches

| Match | White | | Blue | | Result | Time |
|-------|-------------------|---|------|-------------------|--------|------|
| 1 | VAINU Artur | 4 | 5 | SELIVANOV Mihhail | 0 - 10 | 0:55 |
| 2 | KUZNETSOV Jevgeni | 1 | 2 | SADAM Sten Alvar | 0 - 10 | 1:27 |
| 3 | LEMBER Hookan | 3 | 4 | VAINU Artur | 0 - 1 | 4:00 |
| 4 | KUZNETSOV Jevgeni | 1 | 5 | SELIVANOV Mihhail | 10 - 0 | 3:41 |
| 5 | SADAM Sten Alvar | 2 | 3 | LEMBER Hookan | 10 - 0 | 1:13 |
| 6 | KUZNETSOV Jevgeni | 1 | 4 | VAINU Artur | 10 - 0 | 2:30 |
| 7 | LEMBER Hookan | 3 | 5 | SELIVANOV Mihhail | 0 - 10 | 0:52 |
| 8 | SADAM Sten Alvar | 2 | 4 | VAINU Artur | 10 - 0 | 1:07 |
| 9 | KUZNETSOV Jevgeni | 1 | 3 | LEMBER Hookan | 5 - 0 | 4:00 |
| 10 | SADAM Sten Alvar | 2 | 5 | SELIVANOV Mihhail | 10 - 0 | 0:20 |

Results

| Pos | Name |
|-----|-------------------------------------|
| 1 | SADAM Sten Alvar, EST/Aitado |
| 2 | KUZNETSOV Jevgeni, EST/Afina |
| 3 | SELIVANOV Mihhail, EST/Põhjakohtkas |
| 4 | VAINU Artur, EST/Audentes |
| 5 | LEMBER Hookan, EST/Ookami |

Eesti Juuniorite MV-d 23.03.2013 23.03.2013 Võru M+100

Competitors: 3

Competitors

| # | Name | Club | 1 | 2 | 3 | Wins | Pts | Pos |
|---|-------------------|--------------|----|----|---|------|-----|-----|
| 1 | KARRO Tanel | EST/Audentes | | 1 | | 1 | 1 | 2 |
| 2 | HOLTER Mairis | EST/Altia | | | | 0 | 0 | 3 |
| 3 | SILDVEER Hennrich | EST/Aitado | 10 | 10 | | 2 | 20 | 1 |

Matches

| Match | White | | | Blue | Result | Time |
|-------|---------------|---|---|-------------------|--------|------|
| 1 | KARRO Tanel | 1 | 2 | HOLTER Mairis | 1 - 0 | 4:00 |
| 2 | KARRO Tanel | 1 | 3 | SILDVEER Hennrich | 0 - 10 | 0:47 |
| 3 | HOLTER Mairis | 2 | 3 | SILDVEER Hennrich | 0 - 10 | 1:09 |

Results

| Pos | Name |
|-----|-------------------------------|
| 1 | SILDVEER Hennrich, EST/Aitado |
| 2 | KARRO Tanel, EST/Audentes |
| 3 | HOLTER Mairis, EST/Altia |

Eesti Juuniorite MV-d 23.03.2013 23.03.2013 Võru N-48

Competitors: 3

Competitors

| # | Name | Club | 1 | 2 | 3 | Wins | Pts | Pos |
|---|-------------------|-------------|----|----|---|------|-----|-----|
| 1 | LÄÄTS Teele | EST/Samurai | | | | 0 | 0 | 3 |
| 2 | LAPÕNIN Helge | EST/Aitado | 10 | | | 1 | 10 | 2 |
| 3 | KAUP Caris Helena | EST/Ookami | 10 | 10 | | 2 | 20 | 1 |

Matches

| Match | White | | | Blue | Result | Time |
|-------|---------------|---|---|-------------------|--------|------|
| 1 | LÄÄTS Teele | 1 | 2 | LAPÕNIN Helge | 0 - 10 | 1:33 |
| 2 | LÄÄTS Teele | 1 | 3 | KAUP Caris Helena | 0 - 10 | 0:07 |
| 3 | LAPÕNIN Helge | 2 | 3 | KAUP Caris Helena | 0 - 10 | 1:04 |

Results

| Pos | Name |
|-----|-------------------------------|
| 1 | KAUP Caris Helena, EST/Ookami |
| 2 | LAPÕNIN Helge , EST/Aitado |
| 3 | LÄÄTS Teele , EST/Samurai |

Eesti Juuniorite MV-d 23.03.2013 23.03.2013 Võru N-52

Competitors: 2

Competitors

| # | Name | Club | 1 | 2 | Wins | Pts | Pos |
|---|-----------------|------------|---|----|------|-----|-----|
| 1 | TÄHE Merlyn | EST/Zen | | 10 | 1 | 10 | 1 |
| 2 | SALLO Christine | EST/Ookami | | | 0 | 0 | 2 |

Matches

| Match | White | | | Blue | Result | Time |
|-------|-------------|---|---|-----------------|--------|------|
| 1 | TÄHE Merlyn | 1 | 2 | SALLO Christine | 10 - 0 | 0:11 |

Results

| Pos | Name |
|-----|-----------------------------|
| 1 | TÄHE Merlyn, EST/Zen |
| 2 | SALLO Christine, EST/Ookami |

Eesti Juuniorite MV-d 23.03.2013 23.03.2013 Võru N-57

Competitors: 3

Competitors

| # | Name | Club | 1 | 2 | 3 | Wins | Pts | Pos |
|---|----------------|----------------|----|---|----|------|-----|-----|
| 1 | LUTSAR Keit | EST/Audentes | | | 5 | 1 | 5 | 2 |
| 2 | SILLASTE Agnes | EST/Ookami | 10 | | 10 | 2 | 20 | 1 |
| 3 | SILKINA Darja | EST/Buffern-Do | | | | 0 | 0 | 3 |

Matches

| Match | White | | | Blue | Result | Time |
|-------|----------------|---|---|----------------|--------|------|
| 1 | LUTSAR Keit | 1 | 2 | SILLASTE Agnes | 0 - 10 | 9:59 |
| 2 | LUTSAR Keit | 1 | 3 | SILKINA Darja | 5 - 0 | 4:00 |
| 3 | SILLASTE Agnes | 2 | 3 | SILKINA Darja | 10 - 0 | 0:38 |

Results

| Pos | Name |
|-----|-------------------------------|
| 1 | SILLASTE Agnes, EST/Ookami |
| 2 | LUTSAR Keit, EST/Audentes |
| 3 | SILKINA Darja, EST/Buffern-Do |

Eesti Juuniorite MV-d 23.03.2013 23.03.2013 Võru N-63

Competitors: 4

Competitors

| # | Name | Club | 1 | 2 | 3 | 4 | Wins | Pts | Pos |
|---|--------------------|--------------|----|---|----|----|------|-----|-----|
| 1 | NAELSO Kristel | EST/Taifu | | | 10 | 10 | 2 | 20 | 2 |
| 2 | SOOP Kristiina | EST/Taifu | 10 | | 10 | 10 | 3 | 30 | 1 |
| 3 | UIBO Helina | EST/Zen | | | | | 0 | 0 | 4 |
| 4 | BESSALOVA KAROLINA | EST/Kibuvits | | | 10 | | 1 | 10 | 3 |

Matches

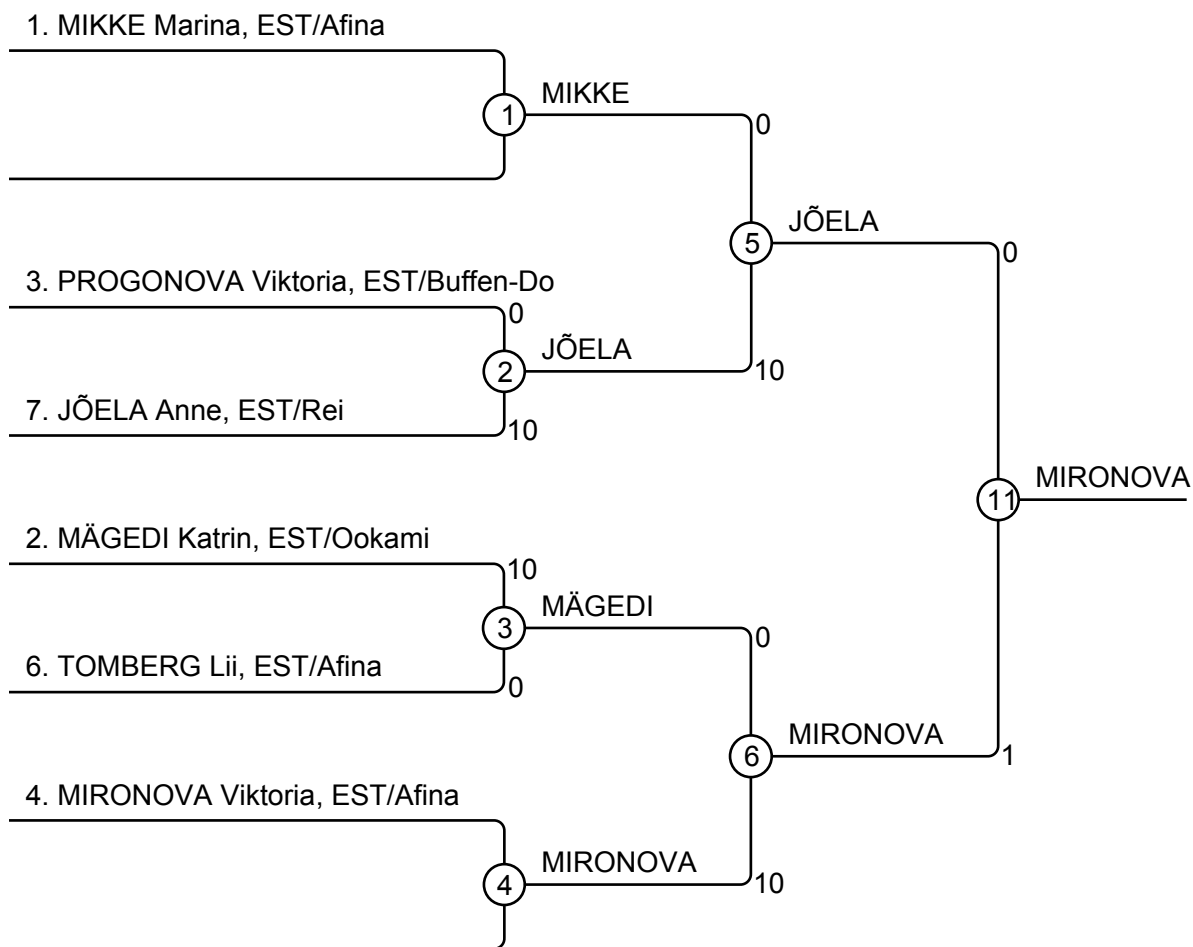
| Match | White | | Blue | | Result | Time |
|-------|----------------|---|------|--------------------|--------|------|
| 1 | NAELSO Kristel | 1 | 2 | SOOP Kristiina | 0 - 10 | 0:48 |
| 2 | UIBO Helina | 3 | 4 | BESSALOVA KAROLINA | 0 - 10 | 1:06 |
| 3 | NAELSO Kristel | 1 | 3 | UIBO Helina | 10 - 0 | 0:27 |
| 4 | SOOP Kristiina | 2 | 4 | BESSALOVA KAROLINA | 10 - 0 | 0:36 |
| 5 | NAELSO Kristel | 1 | 4 | BESSALOVA KAROLINA | 10 - 0 | 0:41 |
| 6 | SOOP Kristiina | 2 | 3 | UIBO Helina | 10 - 0 | 0:00 |

Results

| Pos | Name |
|-----|----------------------------------|
| 1 | SOOP Kristiina, EST/Taifu |
| 2 | NAELSO Kristel, EST/Taifu |
| 3 | BESSALOVA KAROLINA, EST/Kibuvits |
| 4 | UIBO Helina, EST/Zen |

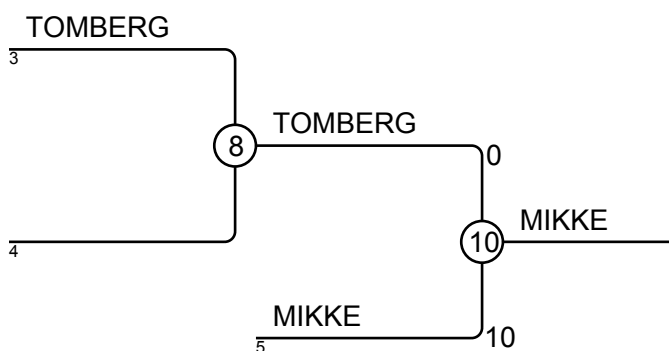
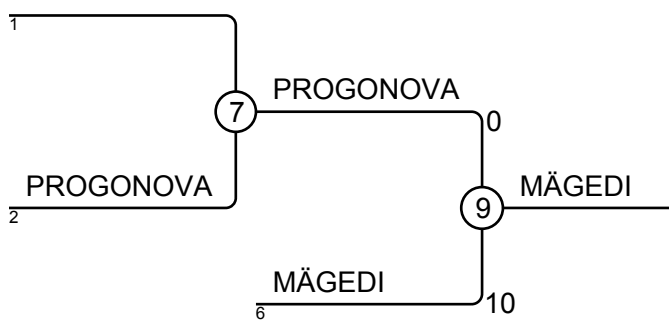
Eesti Juuniorite MV-d 23.03.2013 23.03.2013 Võru N-70

Competitors: 6



Results

| Pos | Name |
|-----|-----------------------------------|
| 1 | MIRONOVA Viktoria, EST/Afina |
| 2 | JÕELA Anne, EST/Rei |
| 3 | MÄGEDI Katrin, EST/Ookami |
| 3 | MIKKE Marina, EST/Afina |
| 5 | PROGONOVA Viktoria, EST/Buffer-Do |
| 5 | TOMBERG Lii, EST/Afina |
| 7 | |
| 7 | |



Eesti Juuniorite MV-d 23.03.2013 23.03.2013 Võru N-78

Competitors: 1

Competitors

| # | Name | Club | 1 | Wins | Pts | Pos |
|---|------------|-----------|---|------|-----|-----|
| 1 | SAAR Brita | EST/Ippon | | 0 | 0 | 1 |

Matches

| Match | White | Blue | Result | Time |
|-------|-------|------|--------|------|
|-------|-------|------|--------|------|

Results

| Pos | Name |
|-----|-----------------------|
| 1 | SAAR Brita, EST/Ippon |

Eesti Juuniorite MV-d 23.03.2013 23.03.2013 Võru N+78

Competitors: 1

Competitors

| # | Name | Club | 1 | Wins | Pts | Pos |
|---|-------------------|-----------------|---|------|-----|-----|
| 1 | KUDRJASOVA Karina | EST/Põhjakotkas | | 0 | 0 | 1 |

Matches

| Match | White | Blue | Result | Time |
|-------|-------|------|--------|------|
|-------|-------|------|--------|------|

Results

| Pos | Name |
|-----|------------------------------------|
| 1 | KUDRJASOVA Karina, EST/Põhjakotkas |