

# Voru Kevad 2012 18.03.2012 Voru CG-28

Competitors: 4

## Competitors

#	Name	Grade	Club	1	2	3	4	Wins	Pts	Pos
1	Polina KHATKINA-LANG	?	EST/Altia			10		1	10	3
2	Aleksandra NAZAROVA	?	LAT/Pieriga	10		10	10	3	30	1
3	Sofia FISHER	?	EST/Buffern-do					0	0	4
4	Sofija VLASOVA	?	LAT/Pieriga	10		10		2	20	2

## Matches

Match	White			Blue	Result	Time
1	Polina KHATKINA-LANG	1	2	Aleksandra NAZAROVA	0 - 10	0:46
2	Sofia FISHER	3	4	Sofija VLASOVA	0 - 10	0:34
3	Polina KHATKINA-LANG	1	3	Sofia FISHER	10 - 0	1:17
4	Aleksandra NAZAROVA	2	4	Sofija VLASOVA	10 - 0	0:40
5	Polina KHATKINA-LANG	1	4	Sofija VLASOVA	0 - 10	1:46
6	Aleksandra NAZAROVA	2	3	Sofia FISHER	10 - 0	1:22

## Results

Pos	Name
1	Aleksandra NAZAROVA, LAT/Pieriga
2	Sofija VLASOVA, LAT/Pieriga
3	Polina KHATKINA-LANG, EST/Altia
4	Sofia FISHER, EST/Buffern-do

# Voru Kevad 2012 18.03.2012 Voru CG-32

Competitors: 4

## Competitors

#	Name	Grade	Club	1	2	3	4	Wins	Pts	Pos
1	Olesia PROKOFEVA	?	RUS/Sojuz		10		10	2	20	2
2	Hlafira BAKHUR	?	BLR/Zhodino					0	0	4
3	Alevtina SHPIKA	?	LAT/Makkabi	7	10		1	3	18	1
4	Karmen KUKK	?	EST/Sakura		10			1	10	3

## Matches

Match	White	Blue	Result	Time
1	Olesia PROKOFEVA	1 2 Hlafira BAKHUR	10 - 0	1:16
2	Alevtina SHPIKA	3 4 Karmen KUKK	1 - 0	4:00
3	Olesia PROKOFEVA	1 3 Alevtina SHPIKA	0 - 7	3:00
4	Hlafira BAKHUR	2 4 Karmen KUKK	0 - 10	2:19
5	Olesia PROKOFEVA	1 4 Karmen KUKK	10 - 0	2:28
6	Hlafira BAKHUR	2 3 Alevtina SHPIKA	0 - 10	0:50

## Results

Pos	Name
1	Alevtina SHPIKA, LAT/Makkabi
2	Olesia PROKOFEVA, RUS/Sojuz
3	Karmen KUKK, EST/Sakura
4	Hlafira BAKHUR, BLR/Zhodino

# Voru Kevad 2012 18.03.2012 Voru CG-36

Competitors: 3

## Competitors

#	Name	Grade	Club	1	2	3	Wins	Pts	Pos
1	Daira KROPE	?	LAT/Pieriga			7	1	7	2
2	Alena KUPAVA	?	BLR/Zhodino	10		1	2	11	1
3	Eliza JEVSTIGNEJEVA	?	LAT/Pieriga				0	0	3

## Matches

Match	White			Blue	Result	Time
1	Daira KROPE	1	2	Alena KUPAVA	0 - 10	0:27
2	Daira KROPE	1	3	Eliza JEVSTIGNEJEVA	7 - 0	3:00
3	Alena KUPAVA	2	3	Eliza JEVSTIGNEJEVA	1 - 0	4:00

## Results

Pos	Name
1	Alena KUPAVA, BLR/Zhodino
2	Daira KROPE, LAT/Pieriga
3	Eliza JEVSTIGNEJEVA, LAT/Pieriga

# Voru Kevad 2012 18.03.2012 Voru CG-40

Competitors: 3

## Competitors

#	Name	Grade	Club	1	2	3	Wins	Pts	Pos
1	Diana ZAICEVA	?	LAT/Singitaj		10		1	10	2
2	Tatjana VLASOVA	?	LAT/Pieriga				0	0	3
3	Anastassia SAZONOVA	?	EST/Buffen-do	10	10		2	20	1

## Matches

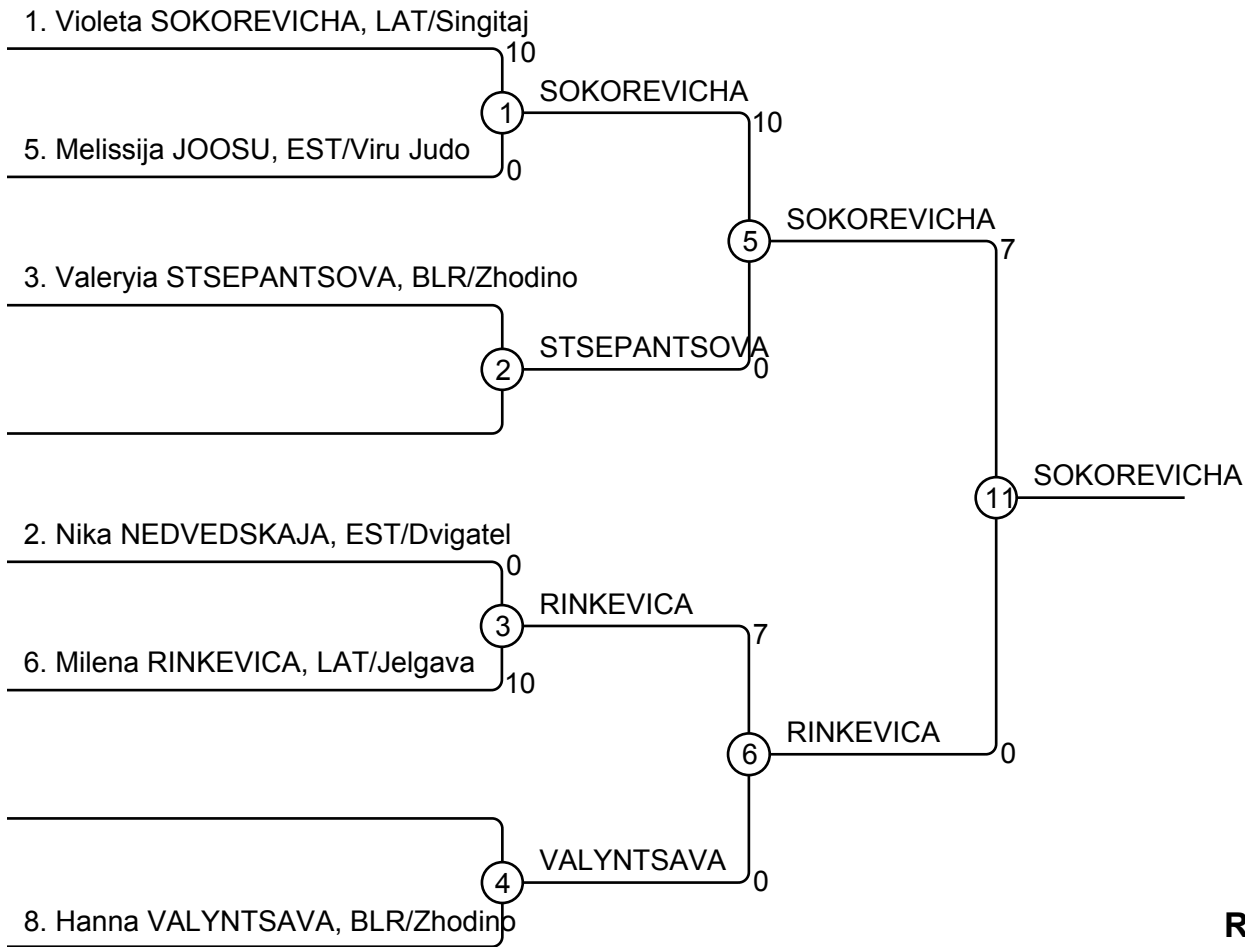
Match	White			Blue	Result	Time
1	Diana ZAICEVA	1	2	Tatjana VLASOVA	10 - 0	1:00
2	Diana ZAICEVA	1	3	Anastassia SAZONOVA	0 - 10	2:05
3	Tatjana VLASOVA	2	3	Anastassia SAZONOVA	0 - 10	0:49

## Results

Pos	Name
1	Anastassia SAZONOVA, EST/Buffen-do
2	Diana ZAICEVA, LAT/Singitaj
3	Tatjana VLASOVA, LAT/Pieriga

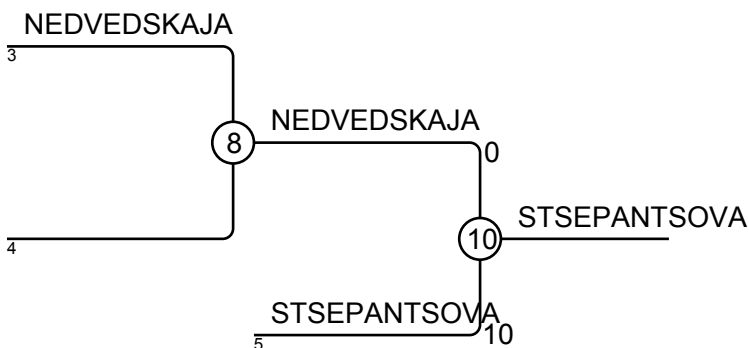
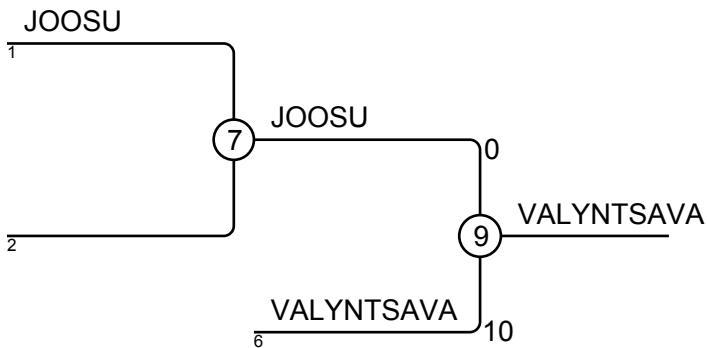
# Voru Kevad 2012 18.03.2012 Voru CG-44

Competitors: 6



## Results

Pos	Name
1	Violeta SOKOREVICHIA, LAT/Singitaj
2	Milena RINKEVICA, LAT/Jelgava
3	Hanna VALYNTSAVA, BLR/Zhodino
3	Valeryia STSEPANTSOVA, BLR/Zhodino
5	Melissija JOOSU, EST/Viru Judo
5	Nika NEDVEDSKAJA, EST/Dvigatel
7	
7	



# Voru Kevad 2012 18.03.2012 Voru CG-48

Competitors: 2

## Competitors

#	Name	Grade	Club	1	2	Wins	Pts	Pos
1	Sandra NIIDAS	?	EST/Aitado		10	1	10	1
2	Hanna Liina KUNNUS	?	EST/Rei			0	0	2

## Matches

Match	White			Blue	Result	Time
1	Sandra NIIDAS	1	2	Hanna Liina KUNNUS	10 - 0	0:00

## Results

Pos	Name
1	Sandra NIIDAS, EST/Aitado
2	Hanna Liina KUNNUS, EST/Rei

# Voru Kevad 2012 18.03.2012 Voru CG+48

Competitors: 1

## Competitors

#	Name	Grade	Club	1	Wins	Pts	Pos
1	Marija SINSARENKO	?	UKR/Ukraine		0	0	1

## Matches

Match	White	Blue	Result	Time
-------	-------	------	--------	------

## Results

Pos	Name
1	Marija SINSARENKO, UKR/Ukraine

# Voru Kevad 2012 18.03.2012 Voru CB-27

Competitors: 2

## Competitors

#	Name	Grade	Club	1	2	Wins	Pts	Pos
1	Kennert HEINALOO	?	EST/DO			0	0	2
2	Janis STRAUS	?	LAT/Pieriga	10		1	10	1

## Matches

Match	White			Blue	Result	Time
1	Kennert HEINALOO	1	2	Janis STRAUS	0 - 10	1:04

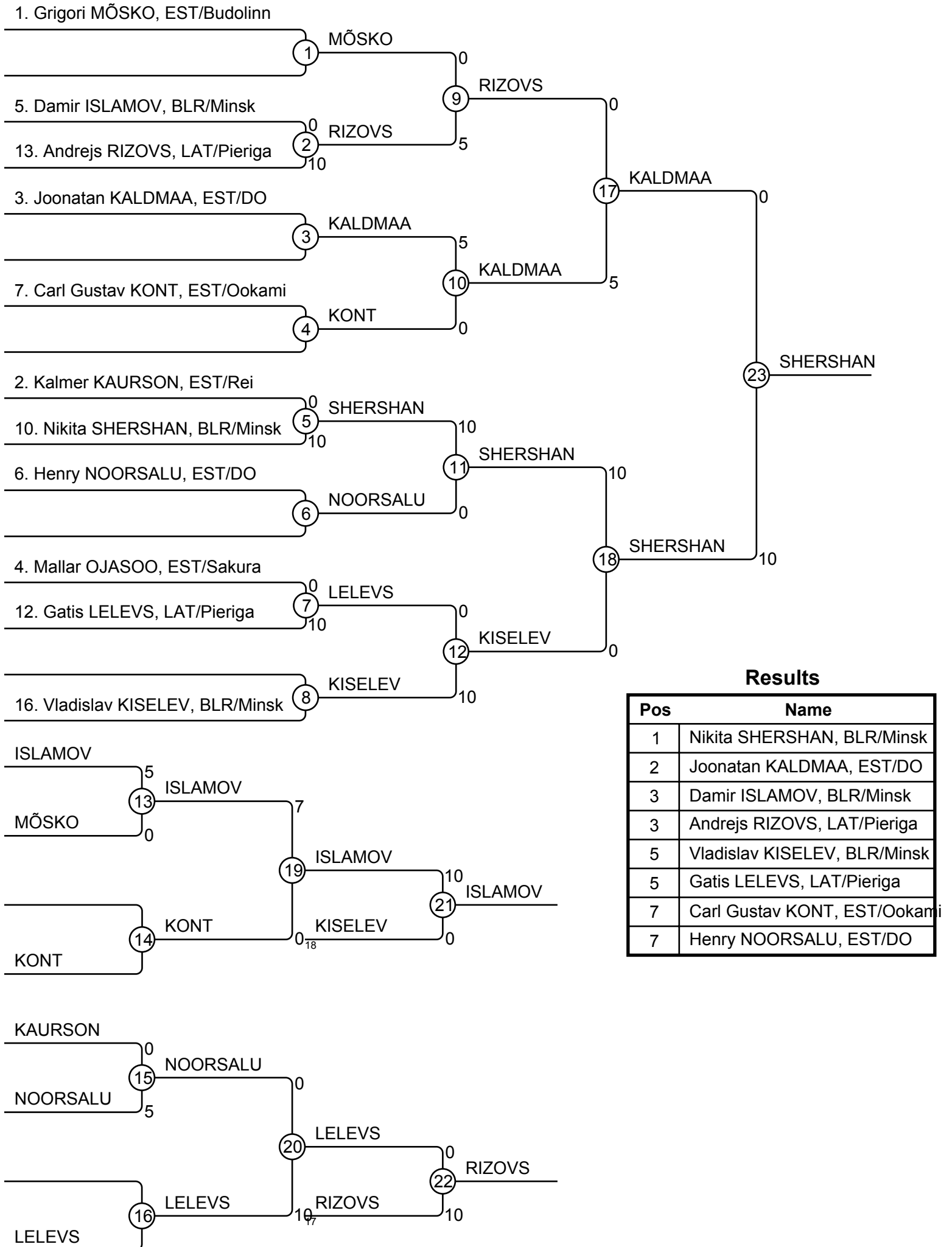
## Results

Pos	Name
1	Janis STRAUS, LAT/Pieriga
2	Kennert HEINALOO, EST/DO



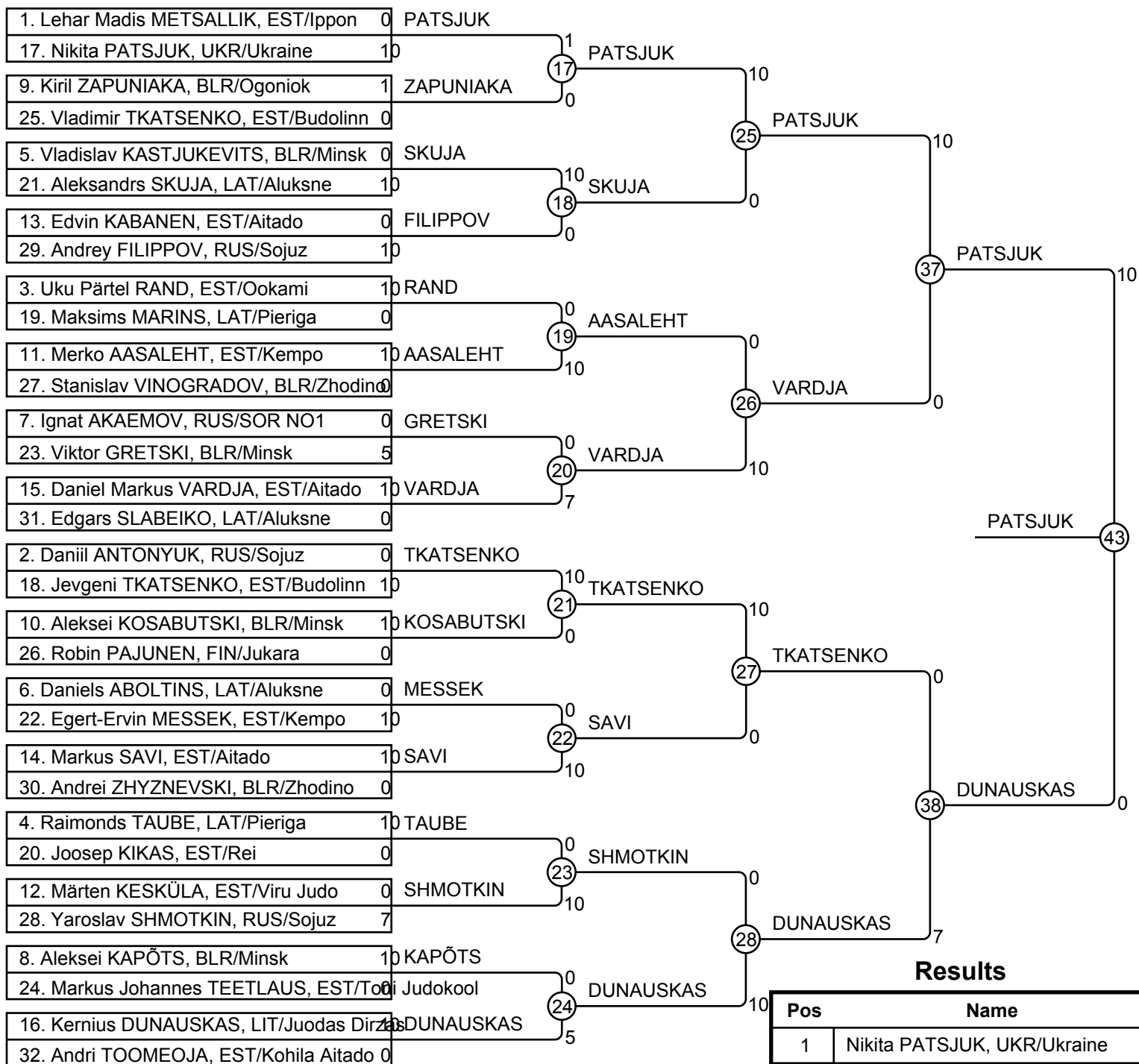
# Voru Kevad 2012 18.03.2012 Voru CB-30

Competitors: 11



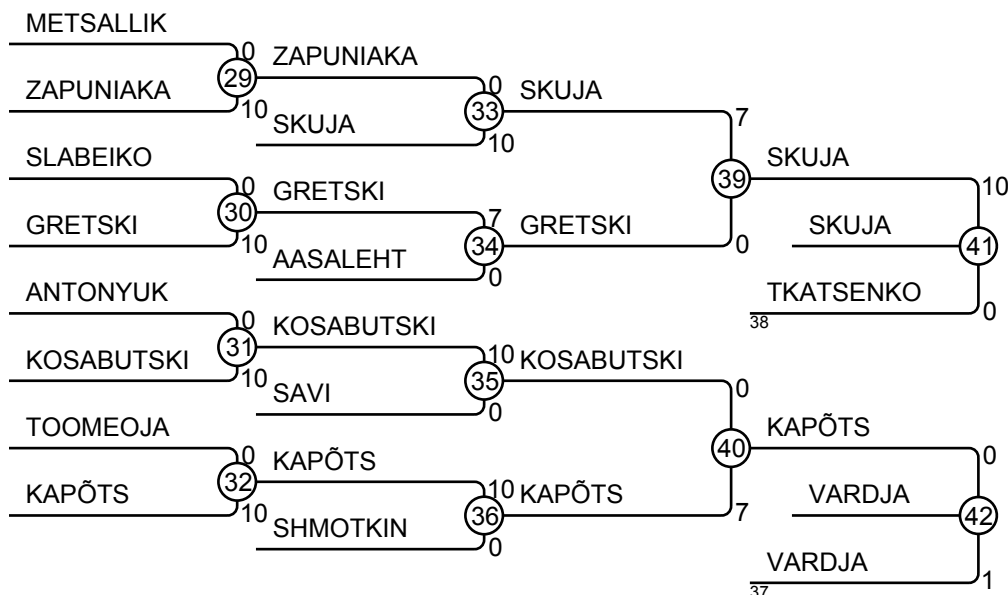
# Voru Kevad 2012 18.03.2012 Voru CB-34

Competitors: 32



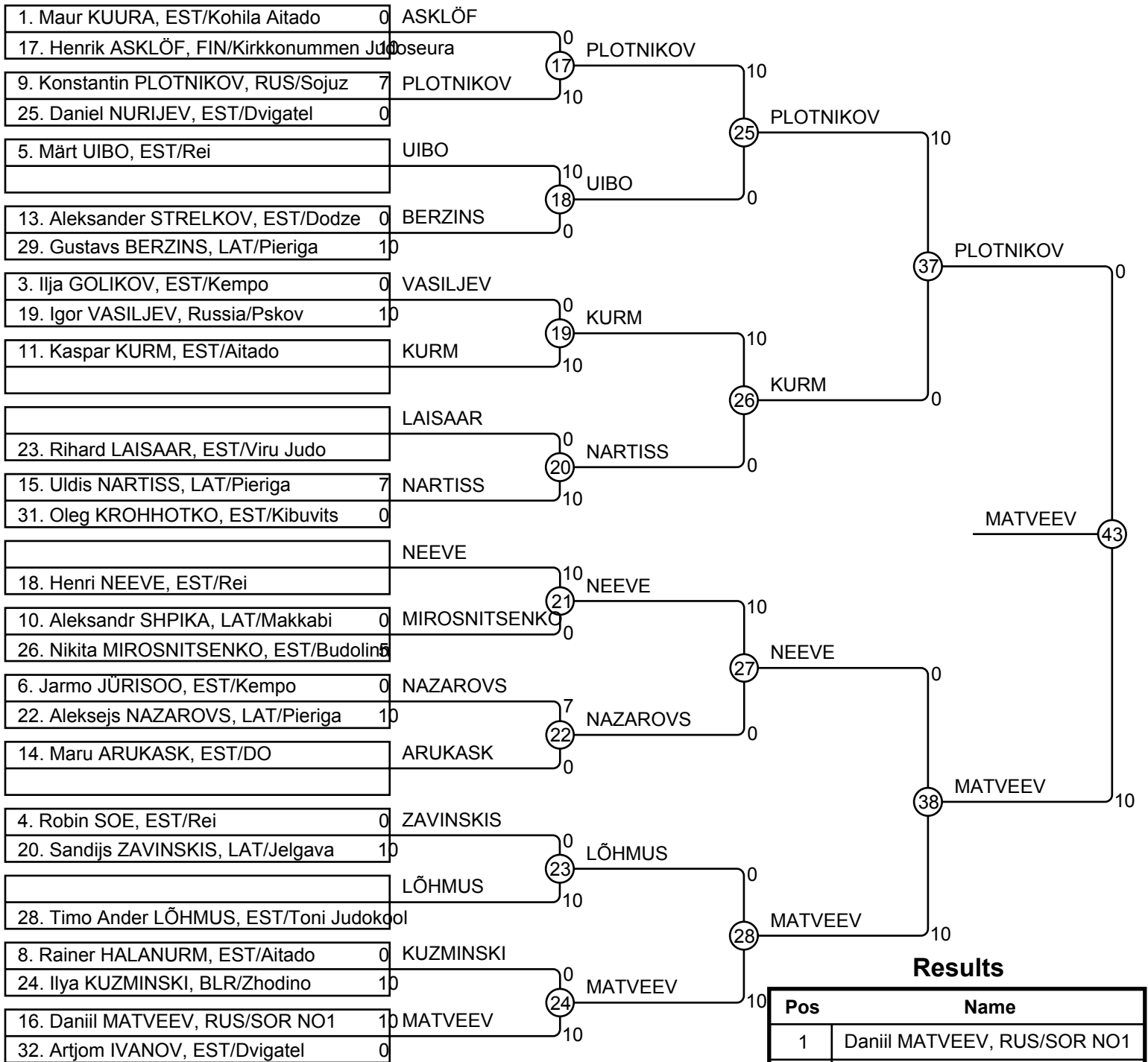
## Results

Pos	Name
1	Nikita PATSJUK, UKR/Ukraine
2	Kernius DUNAUSKAS, LIT/Juodas Dirzas
3	Aleksandrs SKUJA, LAT/Aluksne
3	Daniel Markus VARDJA, EST/Aitado
5	Jevgeni TKATSENKO, EST/Budolinn
5	Aleksei KAPÕTS, BLR/Minsk
7	Viktor GRETSKI, BLR/Minsk
7	Aleksei KOSABUTSKI, BLR/Minsk



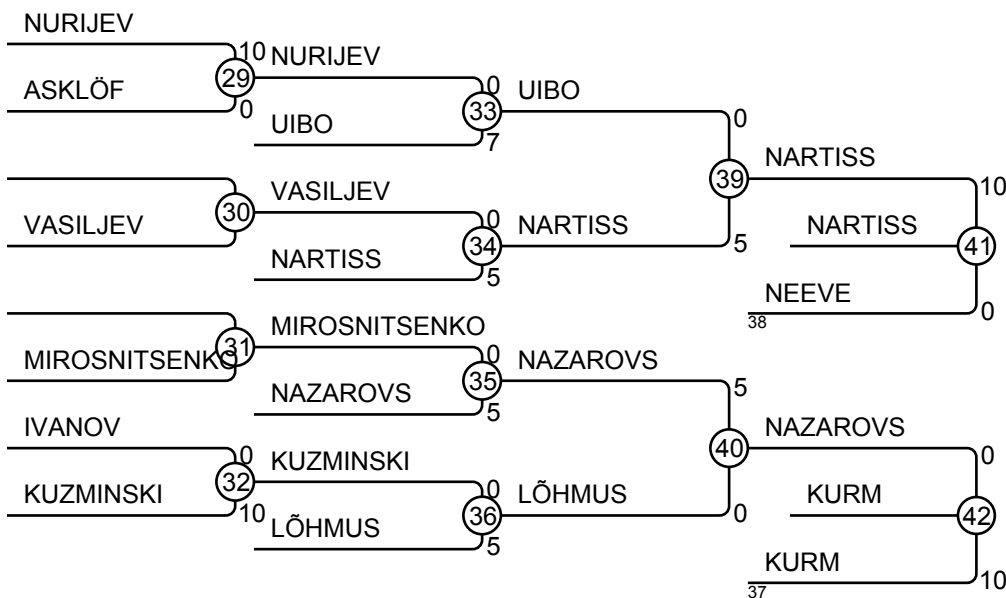
# Voru Kevad 2012 18.03.2012 Voru CB-38

Competitors: 26



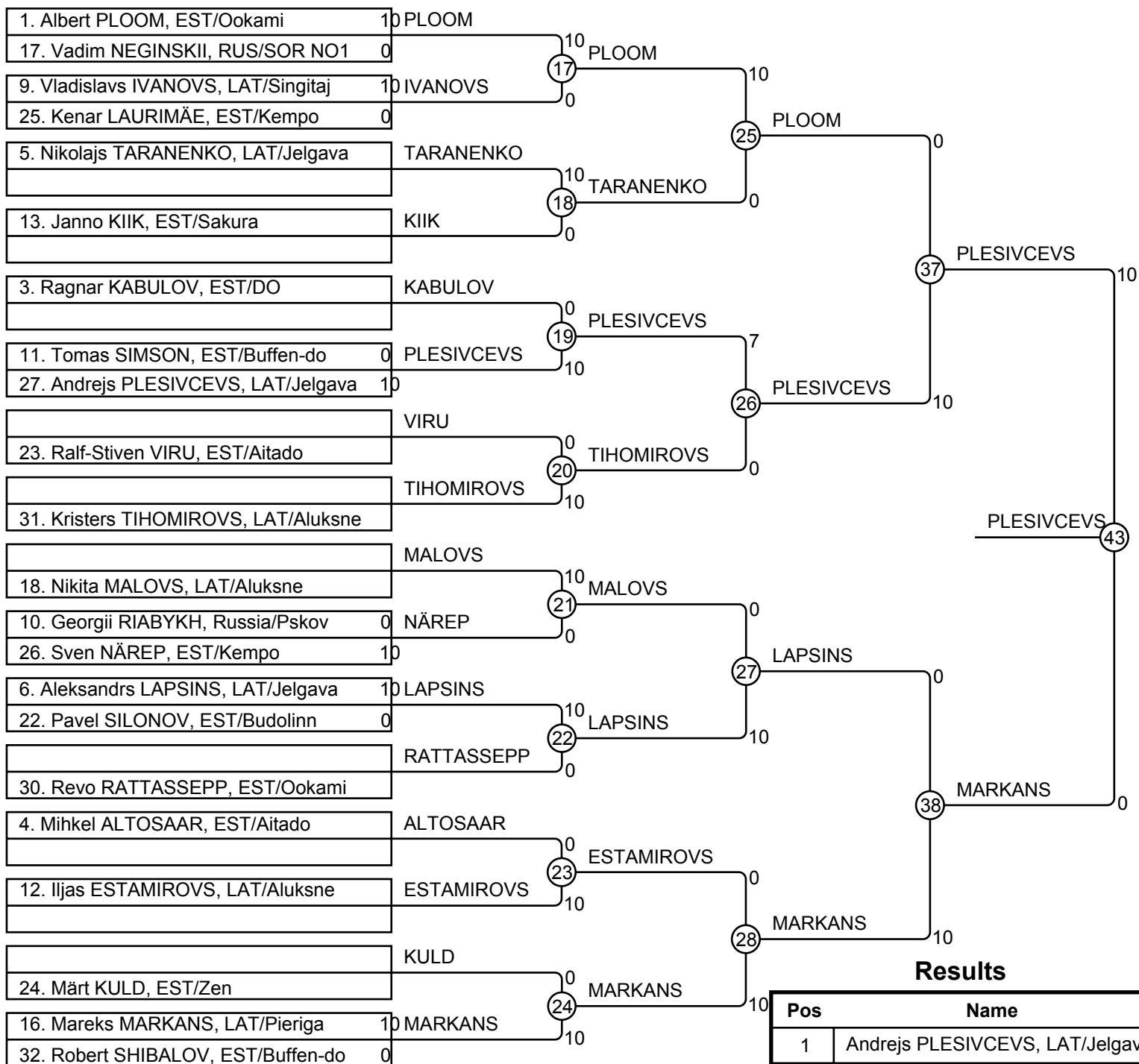
## Results

Pos	Name
1	Daniil MATVEEV, RUS/SOR NO1
2	Konstantin PLOTNIKOV, RUS/Sojuz
3	Uldis NARTISS, LAT/Pieriga
3	Kaspar KURM, EST/Aitado
5	Henri NEEVE, EST/Rei
5	Aleksejs NAZAROV, LAT/Pieriga
7	Märt UIBO, EST/Rei
7	Timo Ander LÖHMUS, EST/Toni Judokool



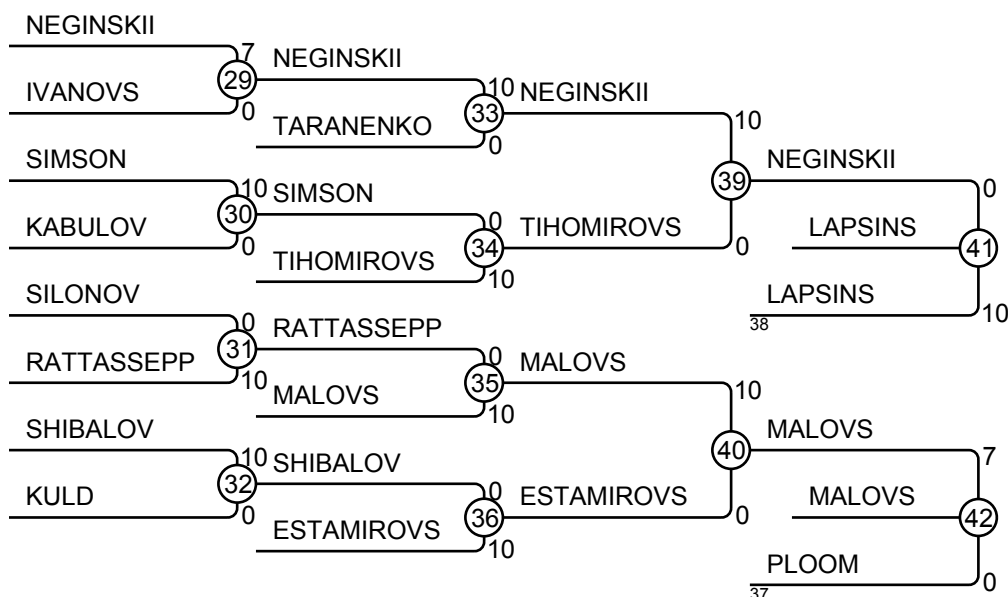
# Voru Kevad 2012 18.03.2012 Voru CB-42

Competitors: 22



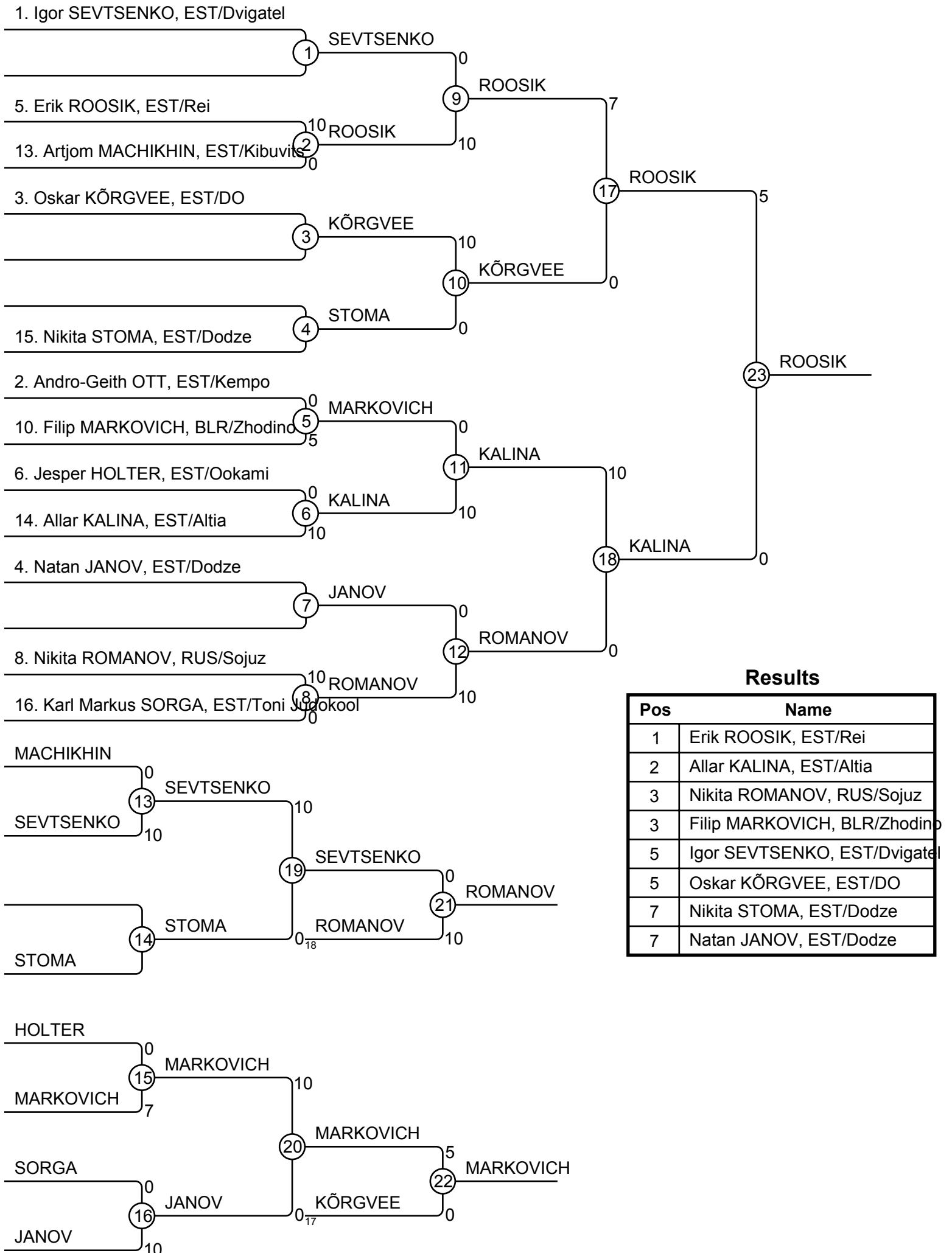
## Results

Pos	Name
1	Andrejs PLESIVCEVS, LAT/Jelgava
2	Mareks MARKANS, LAT/Pieriga
3	Aleksandrs LAPSINS, LAT/Jelgava
3	Nikita MALOVS, LAT/Aluksne
5	Vadim NEGINSKII, RUS/SOR NO1
5	Albert PLOOM, EST/Ookami
7	Kristers TIHOMIROVS, LAT/Aluksne
7	Iljas ESTAMIROVS, LAT/Aluksne



# Voru Kevad 2012 18.03.2012 Voru CB-46

Competitors: 12

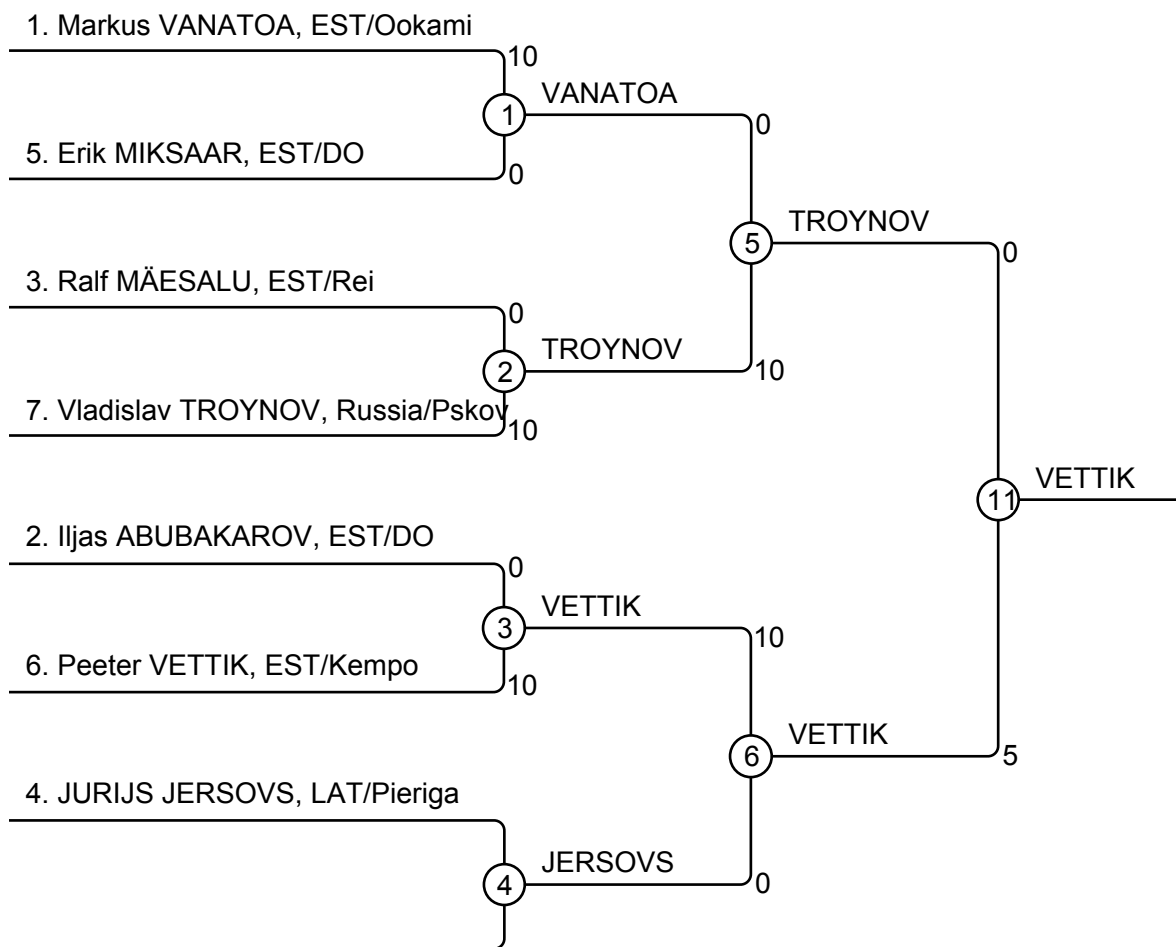


## Results

Pos	Name
1	Erik ROOSIK, EST/Rei
2	Allar KALINA, EST/Altia
3	Nikita ROMANOV, RUS/Sojuz
3	Filip MARKOVICH, BLR/Zhodino
5	Igor SEVTSENKO, EST/Dvigatel
5	Oskar KÕRGVEE, EST/DO
7	Nikita STOMA, EST/Dodze
7	Natan JANOV, EST/Dodze

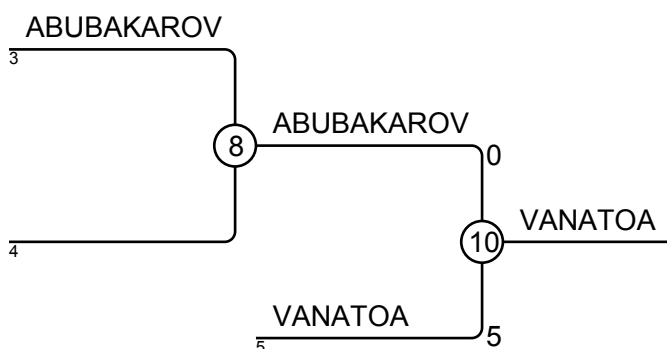
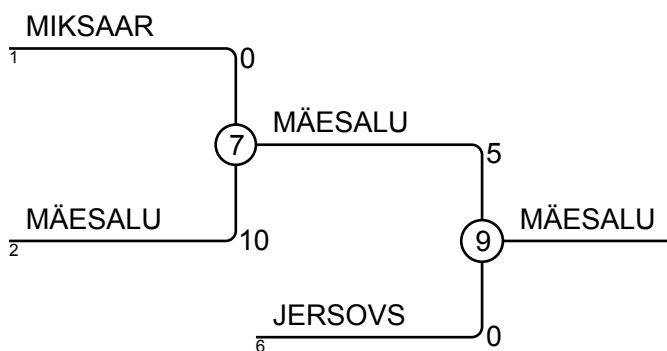
# Voru Kevad 2012 18.03.2012 Voru CB-50

Competitors: 7



## Results

Pos	Name
1	Peeter VETTIK, EST/Kempo
2	Vladislav TROYNOV, Russia/Pskov
3	Ralf MÄESALU, EST/Rei
3	Markus VANATOA, EST/Ookami
5	JURIJS JERSOVS, LAT/Pieriga
5	Iljas ABUBAKAROV, EST/DO
7	Erik MIKSAAR, EST/DO
7	



# Voru Kevad 2012 18.03.2012 Voru CB-55

Competitors: 5

## Competitors

#	Name	Grade	Club	1	2	3	4	5	Wins	Pts	Pos
1	Markus PALUTEDER	?	EST/DO						0	0	5
2	Arturs RAINIKS	?	LAT/Aluksne	10			10	10	3	30	1
3	Robert SEREDENKO	?	EST/Budolinn	10	7		10		3	27	2
4	Timofei SAIKOV	?	BLR/Minsk	10					1	10	4
5	Janno ESTO	?	EST/Viru Judo	10		10	1		3	21	3

## Matches

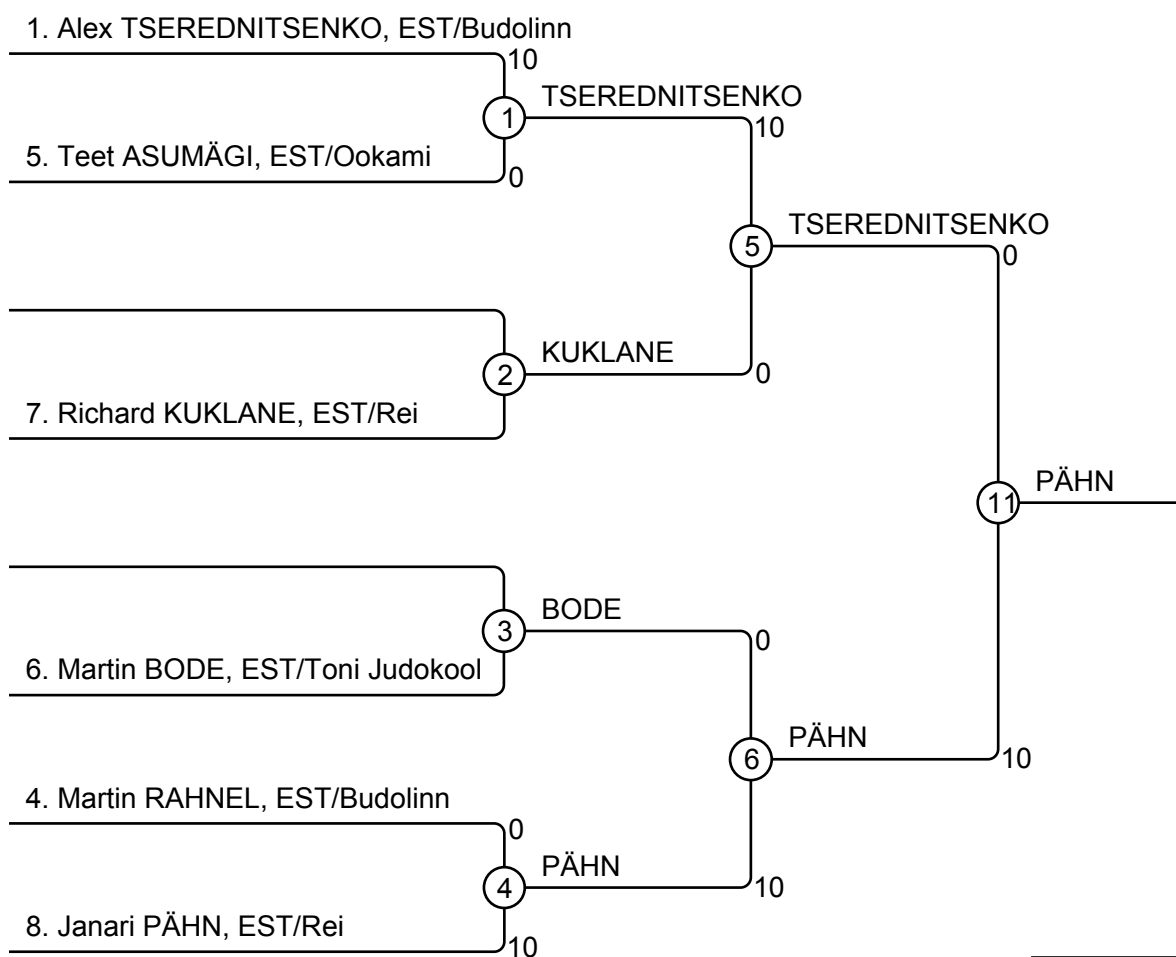
Match	White		Blue		Result	Time
1	Timofei SAIKOV	4	5	Janno ESTO	0 - 1	4:00
2	Markus PALUTEDER	1	2	Arturs RAINIKS	0 - 10	1:10
3	Robert SEREDENKO	3	4	Timofei SAIKOV	10 - 0	1:46
4	Markus PALUTEDER	1	5	Janno ESTO	0 - 10	1:28
5	Arturs RAINIKS	2	3	Robert SEREDENKO	0 - 7	3:00
6	Markus PALUTEDER	1	4	Timofei SAIKOV	0 - 10	2:05
7	Robert SEREDENKO	3	5	Janno ESTO	0 - 10	1:42
8	Arturs RAINIKS	2	4	Timofei SAIKOV	10 - 0	0:00
9	Markus PALUTEDER	1	3	Robert SEREDENKO	0 - 10	0:45
10	Arturs RAINIKS	2	5	Janno ESTO	10 - 0	1:36

## Results

Pos	Name
1	Arturs RAINIKS, LAT/Aluksne
2	Robert SEREDENKO, EST/Budolinn
3	Janno ESTO, EST/Viru Judo
4	Timofei SAIKOV, BLR/Minsk
5	Markus PALUTEDER, EST/DO

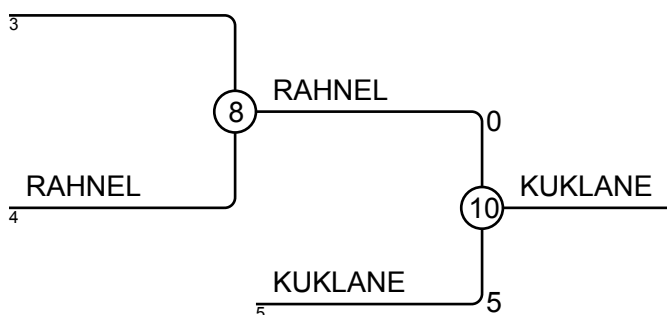
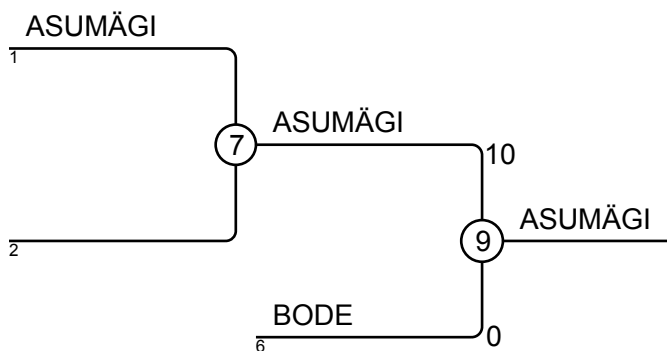
# Voru Kevad 2012 18.03.2012 Voru CB-60

Competitors: 6



## Results

Pos	Name
1	Janari PÄHN, EST/Rei
2	Alex TSEREDNITSENKO, EST/Budolinn
3	Teet ASUMÄGI, EST/Ookami
3	Richard KUKLANE, EST/Rei
5	Martin BODE, EST/Toni Judokool
5	Martin RAHNEL, EST/Budolinn
7	
7	





# Voru Kevad 2012 18.03.2012 Voru CB+60

Competitors: 4

## Competitors

#	Name	Grade	Club	1	2	3	4	Wins	Pts	Pos
1	Maksim ROMANOV	?	EST/Buffer-do				10	1	10	3
2	Mattias UMAL	?	EST/Kempo	10			10	2	20	2
3	Simon SÜLLA	?	EST/Aitado	10	10		10	3	30	1
4	Roland TÄHT	?	EST/Toni Judokool					0	0	4

## Matches

Match	White		Blue		Result	Time
1	Maksim ROMANOV	1	2	Mattias UMAL	0 - 10	1:02
2	Simon SÜLLA	3	4	Roland TÄHT	10 - 0	1:01
3	Maksim ROMANOV	1	3	Simon SÜLLA	0 - 10	0:57
4	Mattias UMAL	2	4	Roland TÄHT	10 - 0	0:26
5	Maksim ROMANOV	1	4	Roland TÄHT	10 - 0	0:27
6	Mattias UMAL	2	3	Simon SÜLLA	0 - 10	1:37

## Results

Pos	Name
1	Simon SÜLLA, EST/Aitado
2	Mattias UMAL, EST/Kempo
3	Maksim ROMANOV, EST/Buffer-do
4	Roland TÄHT, EST/Toni Judokool